

CW Industrial Cable Gland

Brass indoor and outdoor gland popularly used with single wire armoured plastic or rubber sheathed cable. Terminates and secure cable armouring and outer seal grips sheath of cable thus ensuring mechanical strength and earth continuity.

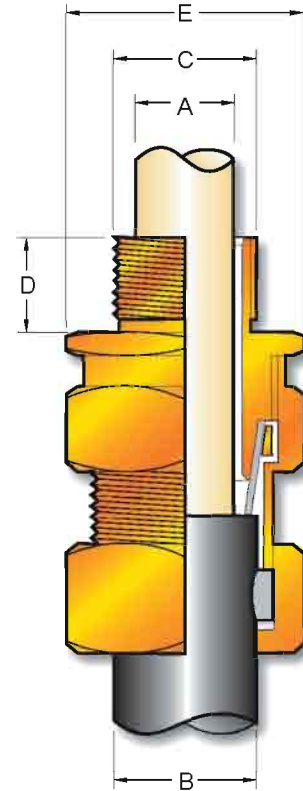
CW brass glands are also supplied with integral earth facilities.

Recommended to use PVC shroud for additional ingress protection.



TECHNICAL DATA

| | |
|----------------------|------------------------------|
| Type | CW |
| Design Specification | BS 6121 : Part I : 1989 |
| Ingress Protection | IP 66 |
| Gland Material | Brass |
| Finish | Plain Brass or Nickel Plated |
| Seal Material | Thermoplastic Elastomer |
| Cable Type | Steel Wire Armour |
| Armour Clamping | Three Part (With Lock Nut) |
| Sealing Technique | Compression Type |
| Sealing Area | Outer Sheath |



| Gland Size | Metric Entry Thread 'C' | Minimum Thread Length 'D' | Under Armour Dia 'A' Max | Overall Dia 'B' Max | Armour Wire Dia | Across Corner Dia 'E' Max | Cat # |
|------------|-------------------------|---------------------------|--------------------------|---------------------|-----------------|---------------------------|-----------|
| 16 | 16 | 15 | 6.0 | 13.2 | 0.9 | 24.4 | ACWG-16 |
| 20SS | 20 | 15 | 8.6 | 13.2 | 0.9 | 24.4 | ACWG-20SS |
| 20S | 20 | 15 | 11.6 | 15.8 | 0.9/1.25 | 26.5 | ACWG-20S |
| 20L | 20 | 15 | 13.9 | 20.8 | 0.9/1.25 | 30.8 | ACWG-20L |
| 25S | 25 | 15 | 15.5 | 25.8 | 0.9/1.25 | 37.0 | ACWG-25S |
| 25L | 25 | 15 | 19.9 | 27.2 | 0.9/1.25 | 38.1 | ACWG-25L |
| 32 | 32 | 15 | 26.2 | 33.5 | 1.60/2.0 | 48.0 | ACWG-32 |
| 40S | 40 | 15 | 29.4 | 38.5 | 1.60/2.0 | 55.6 | ACWG-40S |
| 40L | 40 | 15 | 32.1 | 39.9 | 1.60/2.0 | 57.7 | ACWG-40L |
| 50S | 50 | 15 | 40.8 | 51.0 | 2.0/2.25 | 58.6 | ACWG-50S |
| 50L | 50 | 15 | 44.0 | 52.6 | 2.0/2.25 | 71.3 | ACWG-50L |
| 63S | 63 | 15 | 50.6 | 58.9 | 2.5 | 81.3 | ACWG-63S |
| 63L | 63 | 15 | 55.9 | 65.3 | 2.5 | 88.4 | ACWG-63L |
| 75S | 75 | 15 | 61.9 | 71.6 | 2.5 | 97.4 | ACWG-75S |
| 75L | 75 | 15 | 67.9 | 78.0 | 2.5 | 108.0 | ACWG-75L |
| 90 | 90 | 20 | 74.0 | 88.0 | 3.15 | 116.9 | ACWG-90 |

Dimensions in Millimeters