

GXD Industrial Cable Gland

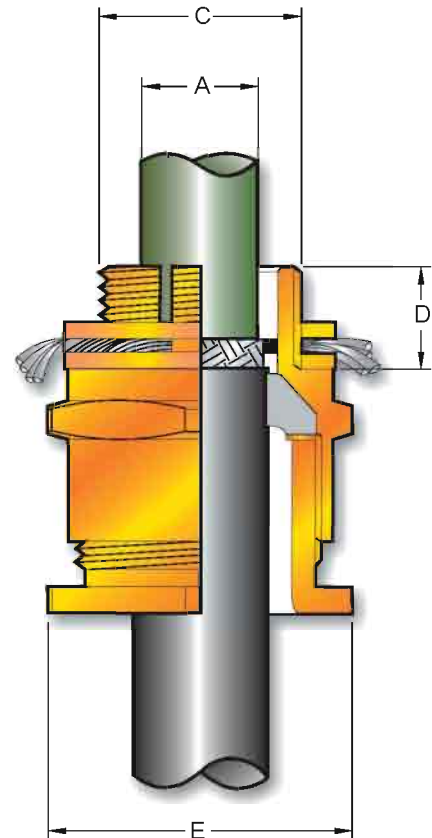
Brass indoor and outdoor cable gland suitable for braided type, plastic or rubber sheathed cables. This gland provides seal on outer sheath.

Recommended to use with PVC shroud for additional ingress protection.



TECHNICAL DATA

Type	GXD
Design Specification	BS 6121 : Part 1 : 1989
Ingress protection	IP 66
Gland Material	Brass
Finish	Plain Brass or Nickel Plated
Seal Material	Thermoplastic Elastomer
Cable Type	Braided
Sealing Technique	Displacement Type
Sealing Area	Outer Sheath



Gland Size	Metric Entry Thread 'C'	Minimum Thread Length 'D'	Overall Diameter 'A'		Across Corners Dia 'E' Max	Cat #
			Min	Max		
16	16	15	3.5	8.5	24.4	AGXD-16
20SS	20	15	3.5	8.5	24.4	AGXD-20SS
20S	20	15	8.0	11.5	26.5	AGXD-20S
20	20	15	11.0	13.5	26.5	AGXD-20
25	25	15	13.0	16.5	39.9	AGXD-25
32	32	15	19.0	25.5	45.5	AGXD-32
40	40	15	25.0	32.0	55.4	AGXD-40
50S	50	15	31.5	37.0	61.0	AGXD-50S
50	50	15	36.5	43.0	66.5	AGXD-50

Dimensions in Millimeters