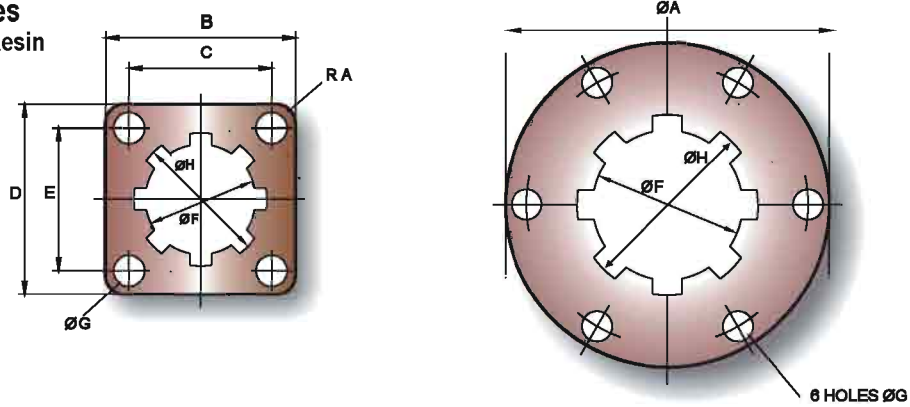


Fittings

Insulating Plates

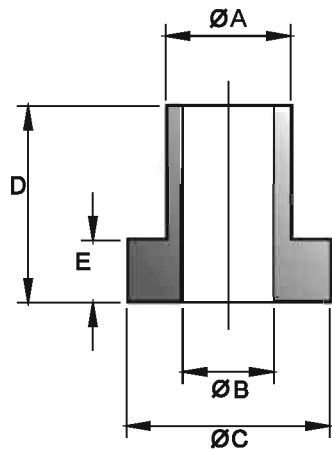
Material : Epoxy Resin



| Insulating Plate | Dimension in mm | | | | | | | |
|------------------|-----------------|-----|----|-----|----|----|----|-----|
| | A | B | C | D | E | F | G | H |
| PX | 12 | 90 | 66 | 90 | 66 | 48 | 16 | 60 |
| PY | 14 | 114 | 86 | 123 | 95 | 75 | 16 | 90 |
| PZ | 190 | - | - | - | - | 90 | 19 | 108 |

Insulating Bush

Material : Neoprene

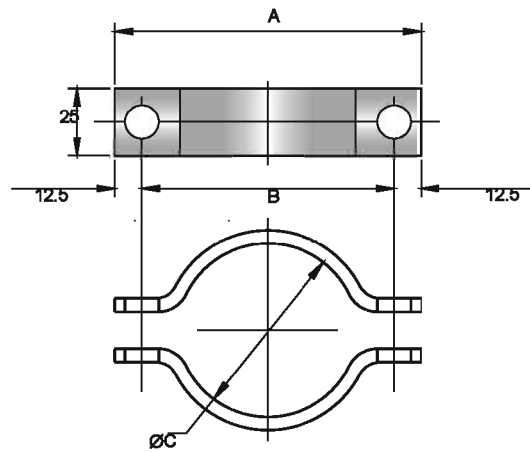


| Insulating Bush | Dimension in mm | | | | |
|-----------------|-----------------|------|----|----|----|
| | A | B | C | D | E |
| A | 15 | 11.2 | 22 | 28 | 10 |
| B | 18 | 14 | 28 | 28 | 10 |

Armour Clamp

Material : M.S Strip

Finish : Hot Dipped Galvanised to BS 729



| Gland Size | Dimension in mm | | |
|------------|-----------------|-----|-----|
| | A | B | C |
| X | 143 | 118 | 73 |
| Y | 171 | 146 | 103 |
| Z | 209 | 185 | 123 |

| Gland Size | Insulating Plate | Insulating Bush |
|------------|------------------|-----------------|
| X | PX | A |
| Y | PY | B |
| Z | PZ | B |