

FURCATE PRE-INSULATING TERMINAL

Size of cable 0.5 – 1.5mm² (American standard 22 – 16) Max. Current=19A



ITEM NO	DIMENSION							color
	American system bolt number	Bolt mouth diameter	B	L	F	H	D ϕ	
		D2(mm)	mm	mm	mm	mm	mm	
SV 1.25-3.2	#4	3.2	5.7	21.2	6.5	10.0	4.3	red
SV 1.25-3.75	#6	3.7	5.7	21.2	6.5			
SV 1.25-3.7L	#6	3.7	6.4	21.2	6.5			
SV 1.25-4S	#8	4.3	6.4	21.2	6.5			
SV 1.25-4M	#8	4.3	7.2	21.2	6.5			
SV 1.25-4L	#8	4.3	8.1	21.2	6.5			
SV 1.25-5S	#10	5.3	8.1	21.2	6.5			
SV 1.25-5L	#10	5.3	9.5	21.2	6.5			
SV 1.25-6S	1/4	6.5	9.5	21.2	6.5			
SV 1.25-6L	1/4	6.5	12.0	27.2	11.0			

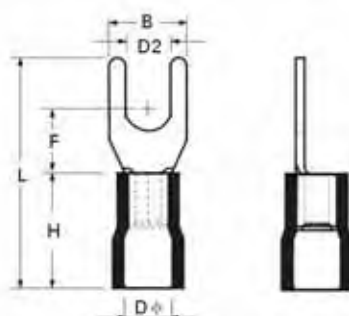


Size of cable 1.5 – 2.5mm² (American standard 16 – 14) Max. Current=27A

ITEM NO	DIMENSION							color
	American system bolt number	Bolt mouth diameter	B	L	F	H	D ϕ	
		D2(mm)	mm	mm	mm	mm	mm	
SV 2-3.2	#4	3.2	5.7	21.2	6.5	10.0	4.9	blue
SV 2-3.75	#6	3.7	5.7	21.2	6.5			
SV 2-3.7L	#6	3.7	6.0	21.2	6.5			
SV 2-4S	#8	4.3	6.4	21.2	6.5			
SV 2-4M	#8	4.3	7.2	21.2	6.5			
SV 2-4L	#8	4.3	8.1	21.2	6.5			
SV 2-5S	#10	5.3	8.1	21.2	6.5			
SV 2-5L	#10	5.3	9.5	21.2	6.5			
SV 2-6S	1/4	6.5	9.5	21.2	6.5			
SV 2-6L	1/4	6.5	12.0	27.2	11.0			

Size of cable 2.5 – 4mm² (American standard 14 – 22) Max. Current=37A

ITEM NO	DIMENSION							color
	American system bolt number	Bolt mouth diameter	B	L	F	H	D ϕ	
		D2(mm)	mm	mm	mm	mm	mm	
SV 3.5-4	#8	4.3	8.0	24.8	7.0	12.5	6.2	black
SV 3.5-5	#10	5.3	8.0	24.8	7.0			
SV 3.5-6	1/4	6.5	12.0	28.0	12.1			



Size of cable 4 – 6mm² (American standard 12 – 10) Max. Current=48A

ITEM NO	DIMENSION							color
	American system bolt number	Bolt mouth diameter	B	L	F	H	D ϕ	
		D2(mm)	mm	mm	mm	mm	mm	
SV 5.5-3.5	#6	3.7	8.3	25.2	7.5	12.5	6.7	yellow
SV 5.5-4S	#8	4.3	8.3	25.2	7.5			
SV 5.5-4L	#8	4.3	9.0	23.9	7.5			
SV 5.5-5	#10	5.3	8.0	23.9	7.5			
SV 5.5-6S	1/4	6.5	9.0	23.9	7.5			
SV 5.5-6L	1/4	6.5	12.0	31.2	12.0			
SV 5.5-8	5/16	8.4	14.0	30.0	11.5			

CIRCULAR PRE-INSULATING TERMINAL

Size of cable: 0.5 - 1.5mm² (American standar: 22 - 16) Max. Current=15A

ITEM NO.	American system bolt number	DIMENSION						color
		Bolt mouth diameter	B	L	F	H	D ϕ	
		D2(mm)	mm	mm	mm	mm	mm	
RV 1.25-3.2	#4	3.2	5.7	17.8	4.95	10.0	4.3	red
RV 1.25-3.75	#6	3.7	5.7	17.8	4.95			
RV 1.25-3.7M	#6	3.7	6.6	20.1	6.3			
RV 1.25-3.7L	#6	3.7	8.0	21.5	7.0			
RV 1.25-4S	#8	4.3	6.6	20.1	6.3			
RV 1.25-4L	#8	4.3	8.0	21.5	7.0			
RV 1.25-5	#10	5.3	8.0	21.5	7.0			
RV 1.25-6	1/4	6.5	11.6	27.5	11.1			
RV 1.25-8	5/16	8.4	11.6	27.5	11.1			
RV 1.25-10	3/8	10.5	13.6	31.6	13.9			



Size of cable: 1.5 - 2.5mm² (American standar: 16 - 14) Max. Current=27A

ITEM NO.	American system bolt number	DIMENSION						color
		Bolt mouth diameter	B	L	F	H	D ϕ	
		D2(mm)	mm	mm	mm	mm	mm	
RV 2-3.2	#4	3.2	6.6	17.9	4.3	10.0	4.9	blue
RV 2-3.75	#6	3.7	6.6	17.8	4.3			
RV 2-3.7M	#6	3.7	6.6	21.0	7.0			
RV 2-3.7L	#6	3.7	8.5	22.5	7.75			
RV 2-4S	#8	4.3	6.6	21.0	7.0			
RV 2-4L	#8	4.3	8.5	22.5	7.75			
RV 2-5S	#10	5.3	8.5	22.5	7.75			
RV 2-5L	#10	5.3	9.5	22.5	7.25			
RV 2-6	1/4	6.5	12.0	27.6	11.0			
RV 2-8	5/16	8.4	12.0	27.6	11.0			
RV 2-10	3/8	10.5	13.6	30.2	13.9			

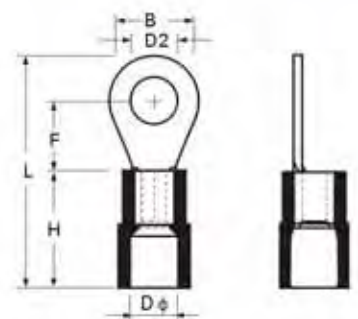


Size of cable: 2.5 - 4mm² (American standar: 14 - 12) Max. Current=37A

ITEM NO.	American system bolt number	DIMENSION						color
		Bolt mouth diameter	B	L	F	H	D ϕ	
		D2(mm)	mm	mm	mm	mm	mm	
RV 3.5-4	#8	4.3	8.0	24.5	7.7	12.5	6.2	black
RV 3.5-5S	#10	5.3	8.0	24.5	7.7			
RV 3.5-5L	#10	5.3	12.0	27.9	7.7			
RV 3.5-6	1/4	6.5	12.0	27.9	7.7			

Size of cable: 4 - 6mm² (American standar: 12 - 10) Max. Current=48A

ITEM NO.	American system bolt number	DIMENSION						color
		Bolt mouth diameter	B	L	F	H	D ϕ	
		D2(mm)	mm	mm	mm	mm	mm	
RV 5.5-3.7	#6	3.7	7.2	21.4	5.9	12.5	6.7	yellow
RV 5.5-4	#8	4.3	7.2	21.4	5.9			
RV 5.5-4	#8	4.3	9.5	25.5	8.3			
RV 5.5-5	#10	5.3	9.5	25.5	8.3			
RV 5.5-6	1/4	6.5	15.0	33.5	13.7			
RV 5.5-8	5/16	8.4	15.0	33.7	13.7			
RV 5.5-10	3/8	10.5	15.0	33.7	13.7			
RV 5.5-12	1/2	13.0	19.2	38.1	16.0			





Long, Short Full Insulating Middle Joint



Insulated Female Terminals



Insulated Male Terminals



Male Insulated Connectors



Insulated Nylon Female Connectors



Insulated Nylon Male Connectors



Fast Wiring Connectors



Flat insulated Male & Female Connectors



Insulated Teleflex



Insulated Core End Terminals



Crewel tube pre-insulating terminal (Type TG-JT)



Tube Naked Terminal (Type TG)

PACKING OF SERIES

ITEM NO	E1	
DETAIL	FDFD1-250	3
	FDFD2-250	3
	FDFD5-250	3
	BV1	5
	BV2	3
	BV5	8
MEAS	50×50×42CM	
QTY	240SETS/CTN	
G.W/N.W	13/12kgs	



ITEM NO	E2			
DETAIL	MDD1-250	5	RV2-5	5
	MDD2-250	5	RV2-4	5
	FDD1-250	5	Bv1	5
	FDD2-250	5	BV2	4
	RV1.25-3	5	SV2-5	5
	RV2-3	5	RV1.25-5	5
	SV1.25-4	4	BV5	5
	RV2-4	4	RV5.5-5	4
	RV1.25-5	5	RV5.5-6	4
MEAS	53×29×45CM			
QTY	60SETS/CTN			
G.W/N.W	7.5/6.5kgs			



ITEM NO	E3	
DETAIL	RV125-3.2	10
	SV125-3.7	10
	RV125-5	8
	SV125-4	8
	RV5.5-5	5
	SV5.5-5	5
	FDD1-250	8
	MDD1-250	8
	FDD2-250	8
	MDD2-250	8
	BV1	6
	BV2	6
	MEAS	42×36×32CM
QTY	120SETS/CTN	
G.W/N.W	23/22kgs	



PACKING OF SERIES



ITEM NO.	E4			
DETAIL	RV1.25-3.7	10	MDD1-250	10
	RV1.25-5	10	SV2-5	10
	FDD2-250	10	BV2	8
	FDD1-250	10	SV1.25-3	10
	RV2-5	10	RV1.25-5	10
	BV1	10	RV2-4	10
	RV2-3.7	10	RV5.5-5	5
	SV1.25-5	10	RV5.5-6	5
	MDD2-250	10	BV5	5
MEAS	58×46×36CM			
QTY	80SETS/CTN			
G.W/N.W	23/22kgs			



ITEM NO.	E5	
DETAIL	SV2-4	10
	SV2-5	10
	RV2-5	10
	RV125-3.7	15
	RV125-5	15
	RV125-5	15
	BV1	5
	BV2	5
	FDD1.25-250	10
	FDD2-250	10
	RV5.5-5	5
	SV5.5-5	5
MEAS	58×47×37CM	
QTY	80SETS/CTN	
G.W/N.W	22/21kgs	



ITEM NO.	E6	
DETAIL	FDFD1-250	5
	FDFD2-250	5
	BV1	10
	BV2	10
	FDD1-250	10
	FDD2-250	10
	MDD1-250	10
	MDD2-250	10
	RV5.5-6	5
	RV5.5-5	5
	RV2-5	10
SV125-5	10	
MEAS	48×48×50CM	
QTY	160SETS/CTN	
G.W/N.W	29/28kgs	